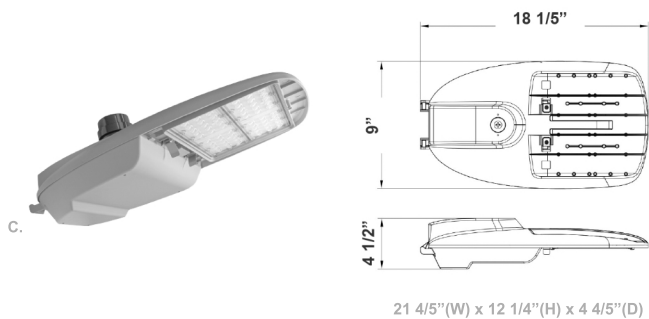
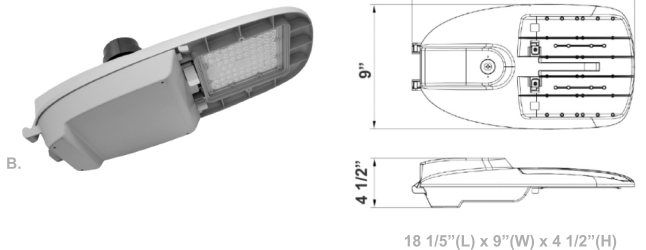
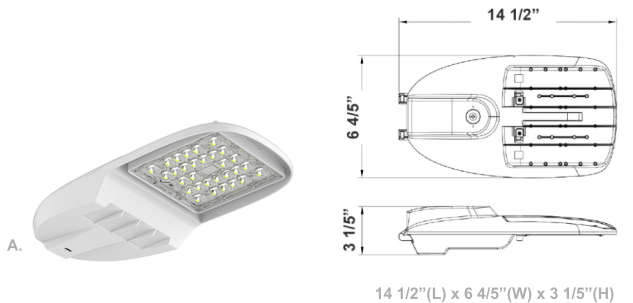


LED Street/Roadway Lights



Wattage

30W / 50W / 80W / 90W / 100W / 150W / 200W

Voltage Input

120-277V AC; 60Hz

Input Current

1.0 A

Efficacy

120-150 LPW

Dimming

0~10V Dimmable

Finish

Die-cast aluminum with powder coat finish
Light grey

Color Temperatures



Features



Accessory



Catalog No.	Fig.	Catalog No.	Fig.	Catalog No.	Fig.
STL2-30W-30K	A	STL2-80W-50K	B	STL3-200W-50K	C
STL2-30W-50K	A	STL2-100W-30K	B	STL3-90W-50K-480V	B
STL3-50W-50K	A	STL3-100W-50K	B	STL3-150W-50K-480V	C
STL3-50W-30K-L	B	STL2-150W-30K	C	STL3-150W-50K-480V	C
STL3-50W-50K-L	B	STL3-150W-50K	C	STL3-200W-50K-480V	C
STL2-80W-30K	B	STL3-200W-30K	C		

Factory-Installed Options

Watts	EM Options	Description	Photocell	Description	Paint	Sensor	Description
ALL MODELS	OPT-STL-SH-CW	HALF SHROUD	N/A	N/A	N/A	N/A	N/A
	OPT-STL-SH-FG	FULL SHROUD	N/A	N/A	N/A	N/A	N/A